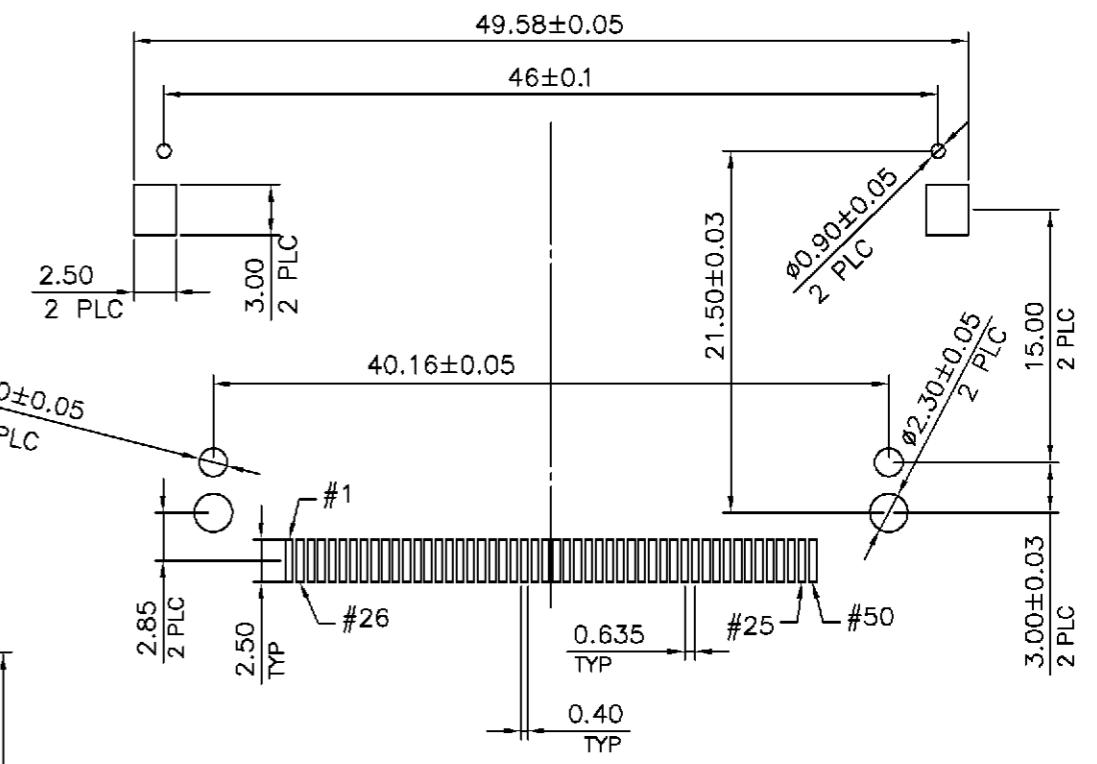
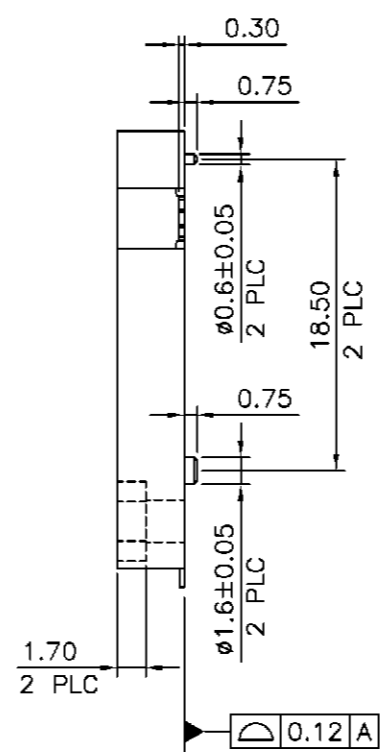
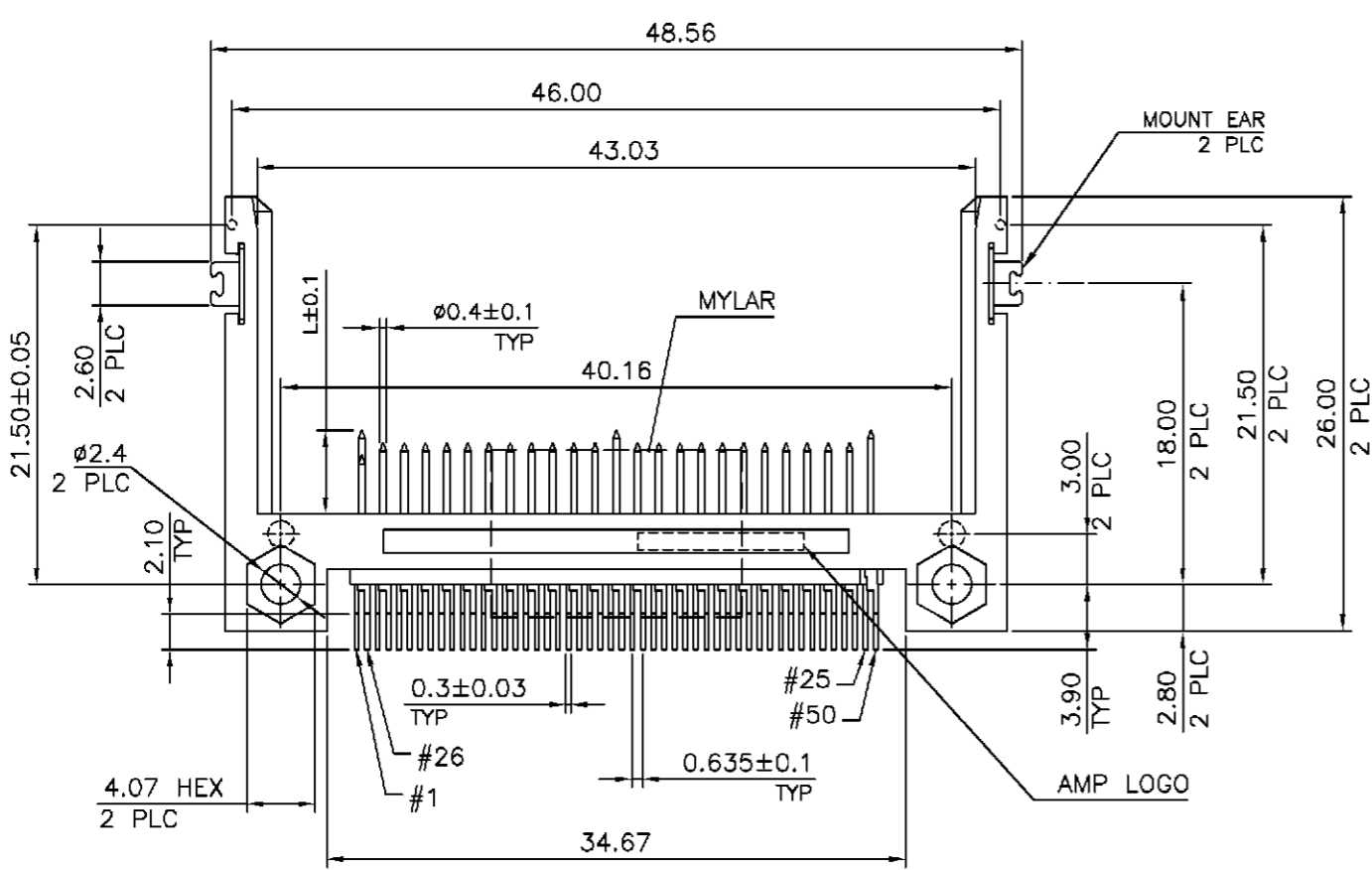
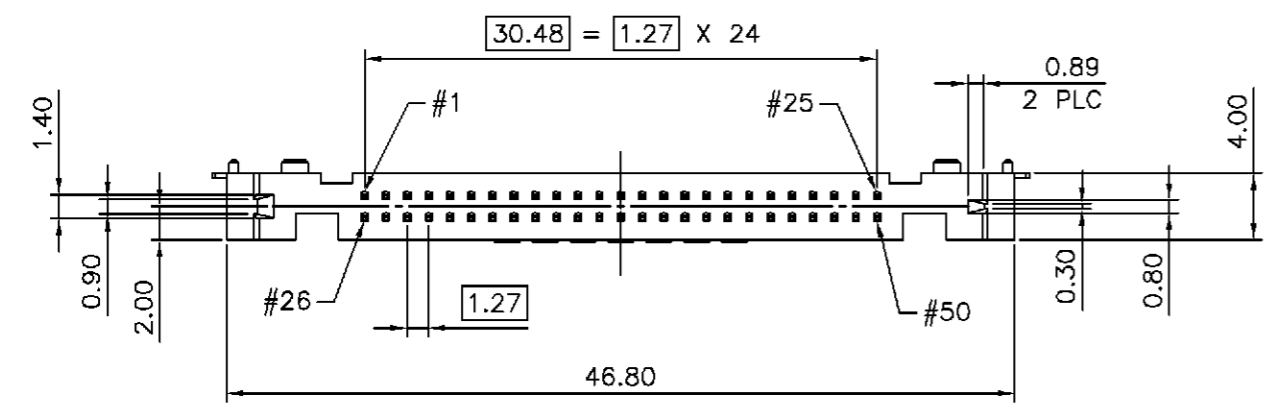


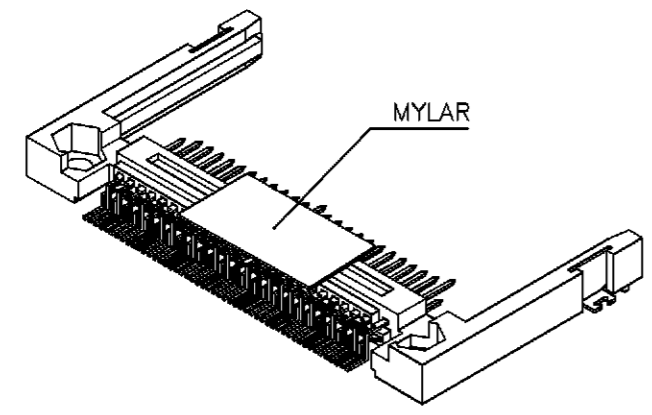
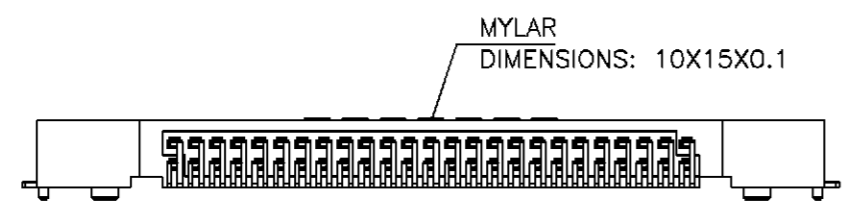
THIS INFORMATION IS CONFIDENTIAL AND IS DISCLOSED TO YOU ON CONDITION THAT NO FURTHER DISCLOSURE IS MADE BY YOU TO OTHER THAN AMP PERSONNEL WITHOUT WRITTEN AUTHORIZATION FROM AMP (TAIWAN) LTD. DIMENSIONS IN MILLIMETERS. DO NOT SCALE PRINT.

NUMBER C-1734471
METRIC
3RD ANGLE PROJECTION



NOTE:

- MATERIAL:
HOUSING: HIGH TEMP. THERMOPLASTIC UL 94V-0, COLOR: WHITE.
CONTACTS: BRASS.
MOUNT EAR: COPPER ALLOY.
- FINISH:
CONTACTS: 15µ" MIN. GOLD PLATED IN CONTACT AREA, 100µ" MIN. TIN PLATED ON SOLDER TAILS, 50µ" MIN. NICKEL UNDERPLATED ALL OVER.
MOUNT EAR: TIN PLATED.
- CONNECTOR REQUIRES USE OF 2 - SIZE M2 SCREWS FOR FASTENING TO PRINTED CIRCUIT BOARD.



POWER	5.00mm
GENERAL	4.25mm
DETECT	3.50mm
PIN TYPE	INTERFACE DIM. L

TOLERANCES UNLESS OTHERWISE SPECIFIED:	DWN	O. HU
0 PLC ±		09-JUN-2004
1 PLC ±0.2	CHK	S. HOU
2 PLC ±0.12		09-JUN-2004
3 PLC ±0.05		
ANGLES ±2'		

MATERIAL	APVD	T. KE
SEE NOTE		09-JUN-2004
	PRODUCT SPEC	
	108-57134	

FINISH	APPLICATION SPEC	LOC	SIZE	DRAWING NO	REV
SEE NOTE	-	DW	A ₃	C-1734471	0
	WEIGHT	SCALE		SHEET	
				1 OF 2	

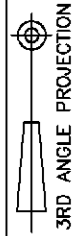
tyco TYCO HOLDINGS (BERMUDA) VII LTD. TAIWAN BRANCH
Electronics

NAME
PIN HEADER SLIM TYPE, 50 POS, BOTTOM BOARD, COMPACT FLASH CARD

O	FIRST RELEASED	FZ00-0120-04	OH SH	11JUN 2004
LTR	REVISION RECORD	ECN	DWN CHK	DATE

CUSTOMER DRAWING

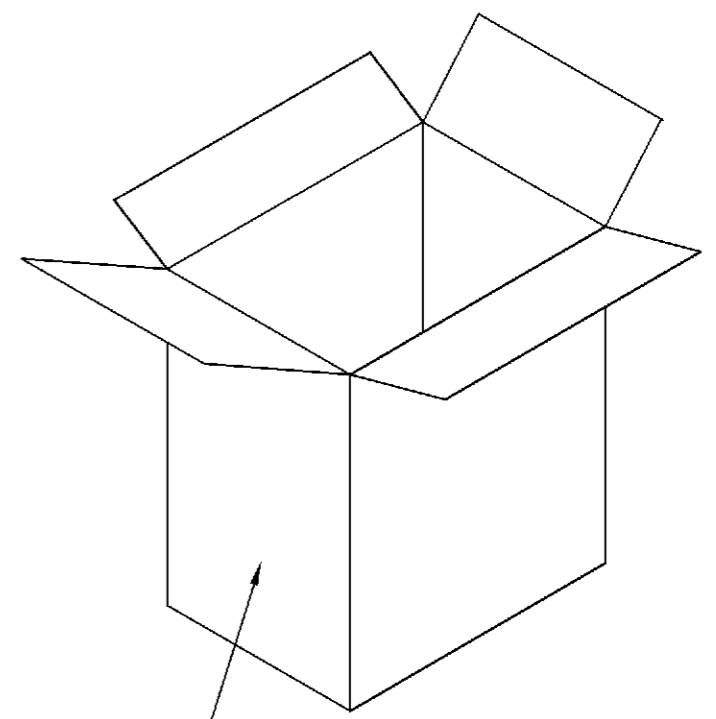
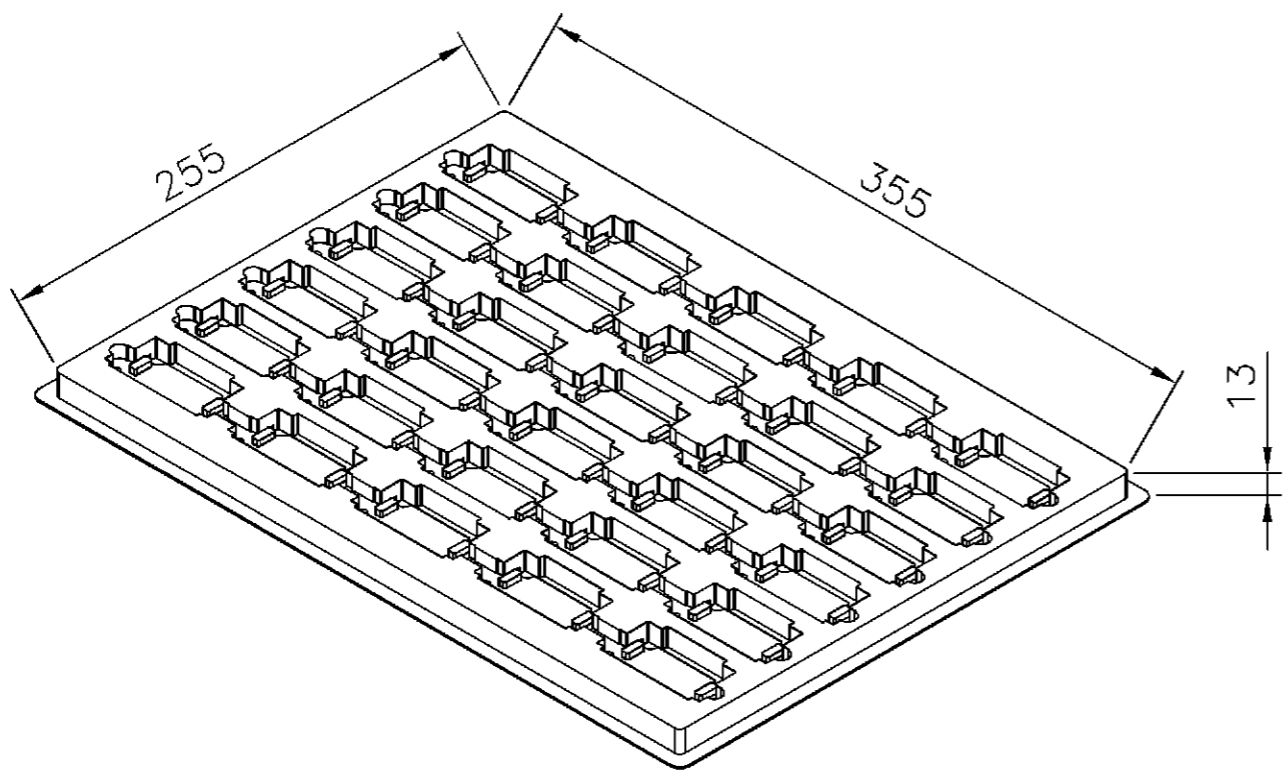
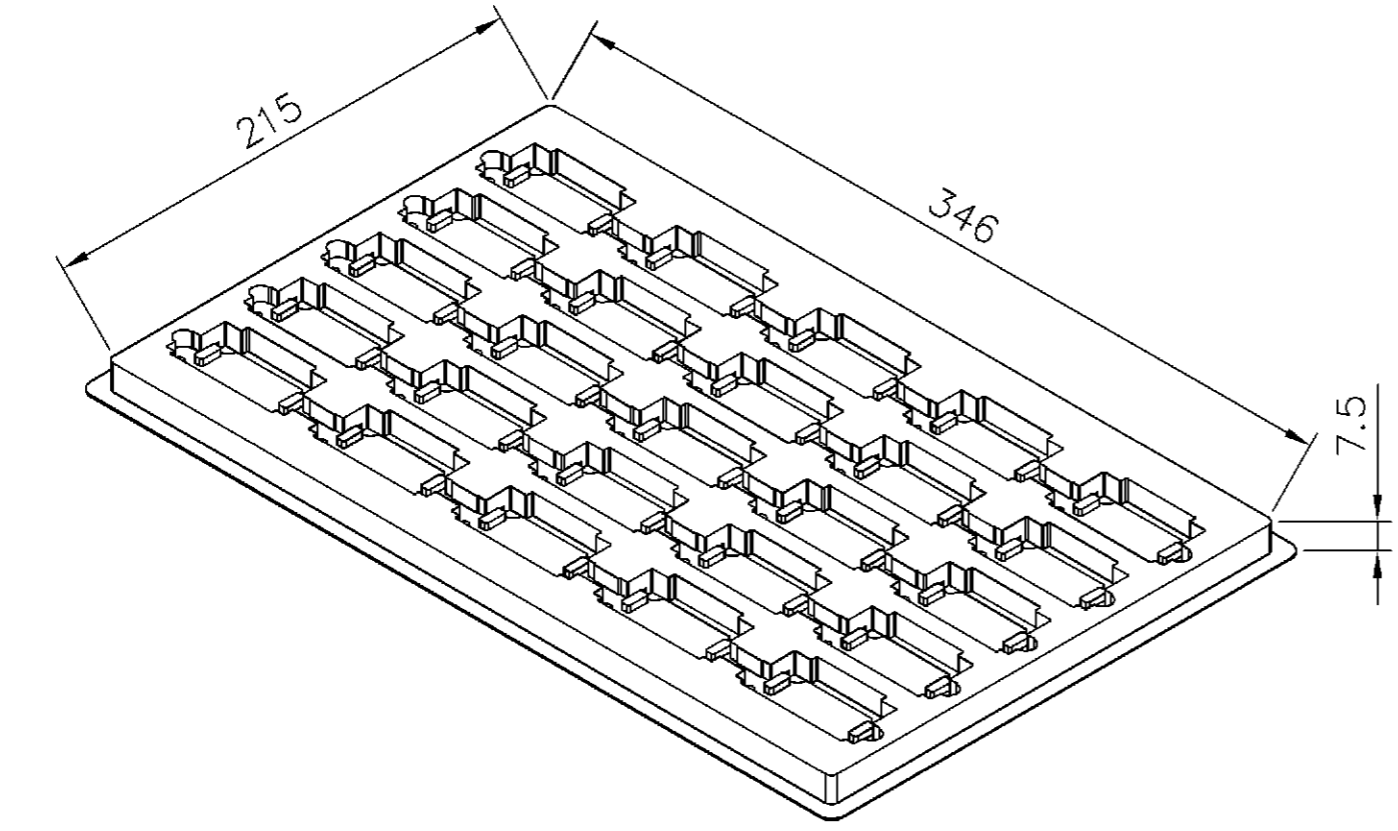
NUMBER
C-1734471



METRIC

THIS INFORMATION IS CONFIDENTIAL AND IS DISCLOSED TO YOU ON CONDITION THAT NO FURTHER DISCLOSURE IS MADE BY YOU TO OTHER THAN AMP PERSONNEL WITHOUT WRITTEN AUTHORIZATION FROM AMP (TAIWAN) LTD. DIMENSIONS IN MILLIMETERS. DO NOT SCALE PRINT.

PRINT
DW



CARTON

NOTE:
△ TOP LAYER IS EMPTY.

356X241X279	△ 41	25	1000	1-1734471-1
394X292X216	△ 26	30	750	1734471-1
CARTON SIZE	LAYER	TRAY	QUANTITY	PART NUMBER

TOLERANCES UNLESS OTHERWISE SPECIFIED: 0 PLC ± 1 PLC ± 2 PLC ± 3 PLC ± ANGLES ±	DWN	O. HU	tyco Electronics TYCO HOLDINGS (BERMUDA) VII LTD. TAIWAN BRANCH			
		09-JUN-2004				
MATERIAL TRAY: PS.	CHK	S. HOU	NAME PIN HEADER SLIM TYPE, 50 POS, BOTTOM BOARD, COMPACT FLASH CARD			
		09-JUN-2004				
FINISH -	APVD	T. KE	LOC	SIZE	DRAWING NO	REV
			DW	A ₃	C-1734471	0
	PRODUCT SPEC		SCALE	SHEET		
	APPLICATION SPEC		--		2 OF 2	
	WEIGHT					

SEE SHEET 1.	ECN	DR	CHK	DATE
LTR	REVISION RECORD			

8 7 6 5 4 3 2 1 CUSTOMER DRAWING